

MARTIN™ TUFFY 63 and TUFFY 63SS

SPECIFICATIONS:

30 yds. WF6F plus 50 yds.
of 20# backing capacity

3" Diameter

3/4" Spool Depth

Tuffy 63

3.75 oz. Weight

Perforated aluminum alloy
spool with push-button
release

Tuffy 63SS

4.00 oz. Weight

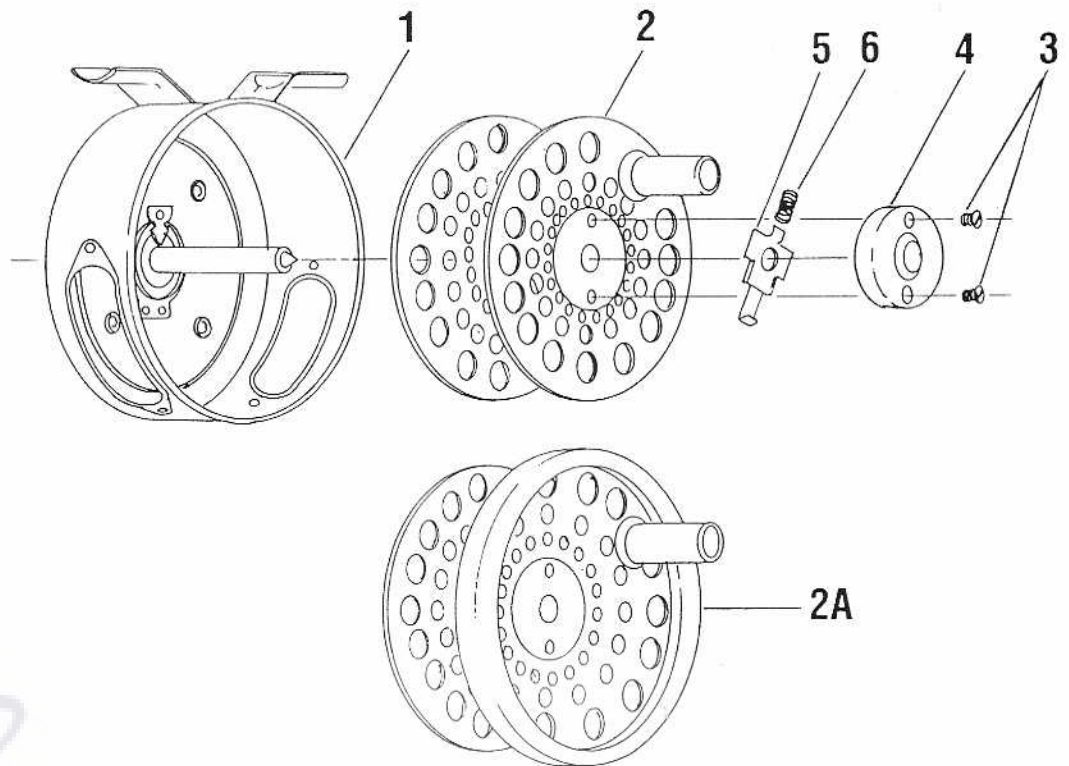
Rim-controlled perforated
alloy spool with push-
button release

FEATURES:

Reinforced, formed
aluminum frame

All-metal click drag with
on/off control

Right or left hand retrieve



Key No.	TUFFY 63 Part No.	TUFFY 63SS Part No.	Description	Price
2	F4B	N/A	Spool Assembly	5.85
2A	N/A	F45B	Spool Assembly	6.95
3	RR130-10A	RR130-10A	Spool Lock Cap Screw	.20
4	251P	251P	Spool Lock Cap	.31
5	XM050-01A	XM050-01A	Spool Lock	.80
6	253S	253S	Spool Lock Spring	.32

MODEL INTRODUCED	EFFECTIVE DATE OF PARTS LIST/DIAGRAM	Oct. 1996	DISCONTINUED	N/A
------------------	--------------------------------------	-----------	--------------	-----

Prices subject to change without notice. Prices do not include postage and handling.

PLEASE ORDER BY PART NUMBER Zebco Division Brunswick Corporation, Box 270, Tulsa, OK 74101 USA 918-831-6965

